

# CHILLED BEAM IQ STAR WEGA II

TECHNICAL CATALOGUE



## CHILLED BEAM IQ STAR WEGA II

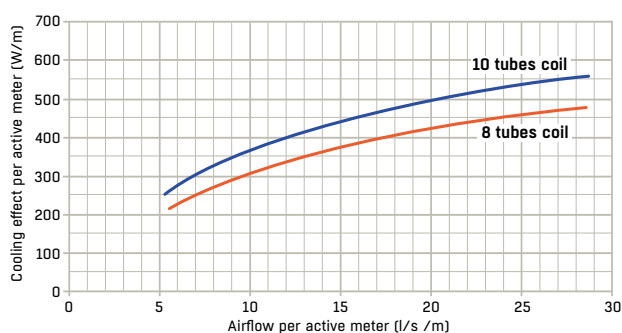


The WEGA II chilled beam is an active chilled beam system for ventilation, cooling and heating. This diffusion system offers comfort and flexibility thanks to the Flow Pattern Control combined with adjustable induction.

The Pi advanced function gives even more flexibility adding a Demand Controlled Ventilation function to the system. The air diffusion follows building occupancy and makes the HVAC system highly efficient.

WEGA II with Pi function is pressure independent and makes the system suitable for many duct work system types.

### QUICK SELECTION



The diagram shows the total cooling effect per active metre at a total pressure of 70 Pa, water flow  $q_w = 0.05$  l/s, temperature difference between room air and supply air  $\Delta t = 8$  °C and temperature difference between mean water temperature and room temperature  $\Delta t = 8$  °C.

### KEY FEATURES

- Ventilation
- Water Heating and cooling
- Adjustable induction
- Flow Pattern Control
- In option: Demand Controlled Ventilation, Pressure independent, Electrical heating, X-Flow and Controls

### SPECIFICATIONS

- An active chilled beam for flush mounting installation
- Ensures comfort with low temperature gradient and no draught - FPC + EC
- Gives flexibility to the diffusion enabling lay out modification - FPC + EC
- Has in option a Demand Controlled Ventilation function, available as retrofit, independent from system pressure - Pi
- Has in option X-Flow function that supplies a wide airflow range suitable for conference rooms
- Fastening brackets for rapid and simple installation.
- Variant for hygienic applications

### PRODUCT CODE EXAMPLE

Recessed chilled beam IQII-180-11-07-1-1, standard.

## CONSTRUCTION AND FUNCTIONS

### CONSTRUCTION

This chilled beam is available in 120 cm, 180 cm, 240 cm and 300 cm standard lengths, is 60 cm wide for integration into T-24 suspended ceiling system with options available for integration into other ceiling systems<sup>1)</sup>.

Height options are the standard 250 mm height, intermediate 190 mm height and 152 mm low-build option. Standard and intermediate height versions have Ø125 mm spigot connections. Spigot connections in standard height versions can be placed on gable ends or mid plenum position. Low-build versions have Ø100 mm spigot connections. Spigot connections in intermediate height and low-build versions are only available at gable ends.

### MATERIAL AND SURFACE FINISH

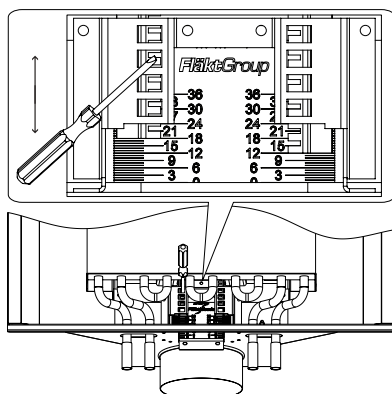
The chilled beam casing is mainly made of galvanized steel sheet. The front plate is powder coated standard RAL 9003 white, 30% gloss which corresponds to NCS 0500-N. Heat exchanger coil made of aluminium fins mechanically bonded to copper pipes with Ø<sub>out</sub> = 15 mm end connections and 1.6 MPa maximum working pressure.

### FUNCTIONS

This chilled beam is designed for flexibility with a number of features optional to the basic standard model. Electric heating, Pi Function, Flow Pattern Control (FPC air deflector), control and regulation equipment are the additional features available.

### ENERGY CONTROL (STANDARD)

Airflow for the chilled beam is easily adjustable with the patented Energy Control comprising variable nozzle settings mounted on rails that can be set for symmetrical or asymmetrical throw by adjustment of the nozzle in alignment with indicator on each side. 36 nozzle positions are available providing a wide choice of airflow settings for immediate and future requirements. Nozzle adjustment requires only a screwdriver to push the rails forward or backward to the desired position as shown below.



<sup>1)</sup> Nominal values. For exact dimensions, see Section Dimensions, page 10.

### PI FUNCTION (OPTION)

For Demand Controlled Ventilation operation, the Pi Function accessory must be mounted on the chilled beam. Thanks to this function, an actuator will then change automatically the nozzle position in order to change primary airflow.

The chilled beam system will be able to follow different operation sequences depending on the controller chosen. It is possible to set different airflows according to occupancy level or to manage air quality thanks to a CO<sub>2</sub> sensor connected to the controller. Three parameters can be set in the actuator: V<sub>0</sub> for non-occupancy, V<sub>min</sub> for standard occupancy and V<sub>max</sub> (boost) for high occupancy level.

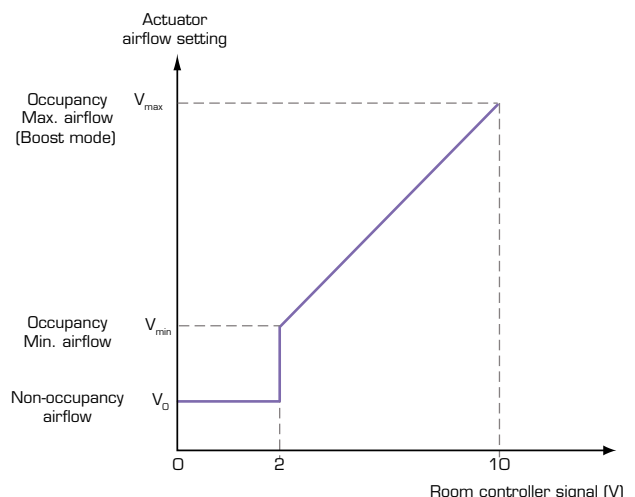
Combined with the STRA-24 room controller, different modes are offered: OFF, Standby, unoccupied, occupied and boost. For each mode, different sequences between water and air are possible: cooling without free cooling, cooling with free cooling and airflow depending on CO<sub>2</sub>.

The Pi function keeps airflow at set point value despite pressure fluctuations in the duct. The Pi Function is easy to retrofit and applicable to any ductwork system owing to its pressure independent functionality.

Note when using Pi Function, induction is always symmetrical and a room controller is required to operate Pi Function with link to occupancy sensor. Duct pressure has to be maintained between 40 and 140 Pa.



Figure 1: Pi Function actuator



### HEATING FUNCTION WITH PI

Naturally, warm air rises and remains at ceiling level when the heating function of a chilled beam is used and can therefore result in an unbalanced temperature gradient within the room. However, using a chilled beam with PI-function means that you can create stable ventilation whilst in heating mode. This is achieved by increasing the airflow when the demand for heating grows along with the level of occupancy inside the room. When there is a demand for more heating the airflow is increased causing it collide with walls or other airstreams in the room and is then directed downwards to the occupied zone. The level of increased airflow in heating mode is an adjustable parameter in STRA-24 (parameter 49).

**CAUTION!** If Pi Function is installed as a retrofit, there is no need for a damper before the chilled beam. Any previously installed damper, should be set to fully open position or removed.

### FLOW PATTERN CONTROL (FPC)

The FPC (Flow Pattern Control) function provides high flexibility. The combination of Flow Pattern Control (FPC) and the patented Comfort Control gives unique characteristics to this chilled beam.

FläktGroup FPC air deflector enables easy adjustment of the air direction simply by repositioning the plastic blades as shown in illustration to the right.

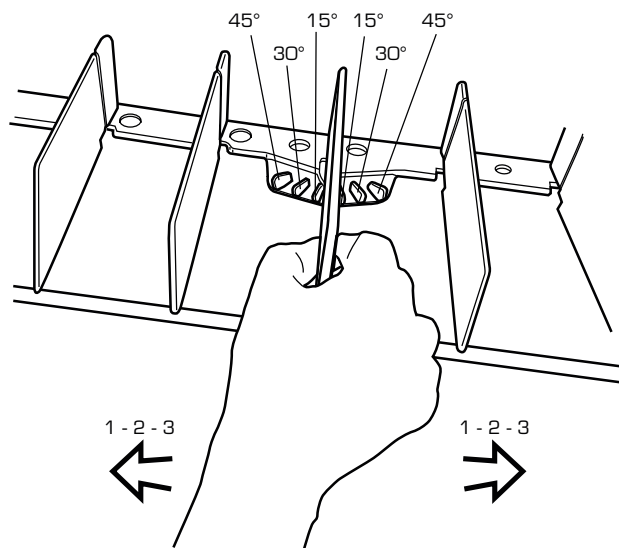
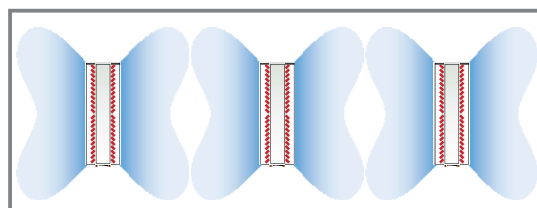
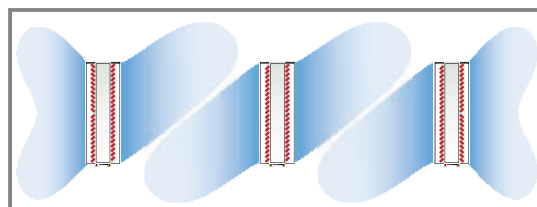


Illustration below shows FPC blades set at opposing 30° angle settings and with comfort control in symmetrical setting.



For high airflow applications as illustrated below, comfort control is in symmetrical setting, while FPC blades set at 30° angle settings on opposing units to avoid colliding air streams.



## X-FLOW

X-flow version of WEGA II is a chilled beam which can supply a very wide range of air flow suitable for conference rooms.

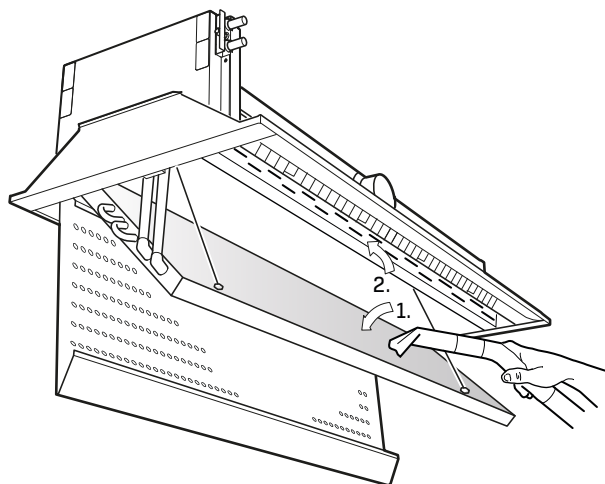
A three meter WEGA II (IQII-300) with X-flow can supply up to 100 l/s which make it possible to use it without any extra supply air device for conference rooms for up to 12 persons. Together with Pi-actuator, the chilled beam becomes an energy efficient VAV-solution where airflow level can be adapted based on demand from 0 - 100 l/s independent from duct pressure and always with good comfort.

X-flow version of WEGA II has same design seen from below as standard version of WEGA II and it is optimized to give low sound level and high air volume. Thanks to its wide range of air flow, it is a flexible solution for conference rooms which can be combined with standard version of WEGA II for e.g. office rooms.

## WEGA II WITH X-FLOW

Beam	Air flow (l/sec)	Pressure (Pa)	Sound $L_{p(A)10}$ , (dB(A))
IQII-240	75	70	35
IQII-300	97	70	36

## HYGIENIC EXECUTION



WEGA II is available in Hygienic execution. The benefit with this version of WEGA II is to make cleaning of chilled beam easier and faster and access all surfaces on chilled beam but also to reduce number of times for cleansing.

The hygienic version of WEGA II is equipped with folding coil which makes it possible to clean both sides of coil but also area around nozzles. It also always has 3 spigots options installed, 2 on long sides and one in the gable. Through the 2 spigots which are not used, you have access to inside plenum for cleaning.

The hygienic chilled beam also have coated coil which makes fin surface smooth and less dust is then stucked in the coil.

The hygienic execution of WEGA II is available in all lengths 120, 180, 240 and 300 cm with height = 250 mm and both cooling and cooling/heating execution.

## INSTRUCTIONS

For installation, maintenance and commissioning instructions, please refer to specific manuals available on the Internet at [www.flaktgroup.com](http://www.flaktgroup.com)

## TECHNICAL DATA FOR COOLING EFFECT

### TWO-WAY CHILLED BEAM 10 ROWS (2-PIPE SYSTEM) AT PRESSURE DROP 70 PA ON THE AIR SIDE Ø125 MM

Beam length = 1.20 m (Coil length = 1.04 m)

Table 1: Water flow,  $q_w = 0.05$  l/s, Pressure drop,  $\Delta p_w = 3.7$  kPa

Nozzle opening mm	$q_{air}$ l/s	$P_{tot}$ in W for $\Delta t$ , °C			$P_{coil}$ in W for $\Delta t$ , °C			$L_{A10}$ dB(A)
		6	8	10	6	8	10	
06	5,5	246	310	374	193	257	321	<20
12	10,4	374	466	557	275	366	458	<20
18	15,0	475	585	695	331	441	551	<20
24	19,6	556	679	802	368	491	614	<20
30	24,0	62	758	890	396	528	660	<20
36	28,5	687	825	962	413	551	689	21

Beam length = 1.80 m (Coil length = 1.64 m)

Table 2: Water flow,  $q_w = 0.05$  l/s, Pressure drop,  $\Delta p_w = 4.5$  kPa

Nozzle opening mm	$q_{air}$ l/s	$P_{tot}$ in W for $\Delta t$ , °C			$P_{coil}$ in W for $\Delta t$ , °C			$L_{A10}$ dB(A)
		6	8	10	6	8	10	
06	9,0	390	491	593	304	405	506	<20
12	16,4	589	732	876	431	575	719	<20
18	23,5	738	909	1079	512	683	854	<20
24	30,5	863	1053	1243	570	760	950	<20
30	37,5	973	1177	1381	613	817	1021	25
36	43,6	1055	1267	1479	636	848	1060	29

Beam length = 2.40 m (Coil length = 2.24 m)

Table 3: Water flow,  $q_w = 0.05$  l/s, Pressure drop,  $\Delta p_w = 6$  kPa

Nozzle opening mm	$q_{air}$ l/s	$P_{tot}$ in W for $\Delta t$ , °C			$P_{coil}$ in W for $\Delta t$ , °C			$L_{A10}$ dB(A)
		6	8	10	6	8	10	
06	10,7	510	646	781	407	543	679	<20
12	21,0	789	985	1180	587	783	979	<20
18	30,4	986	1218	1449	695	926	1158	<20
24	39,9	1146	1400	1654	763	1017	1271	20
30	49,0	1283	1553	1824	812	1083	1354	25
36	57,0	1392	1674	1956	845	1127	1409	29

Beam length = 3 m (Coil length = 2.84 m)

Table 4: Water flow,  $q_w = 0.05$  l/s, Pressure drop,  $\Delta p_w = 7.3$  kPa

Nozzle opening mm	$q_{air}$ l/s	$P_{tot}$ in W for $\Delta t$ , °C			$P_{coil}$ in W for $\Delta t$ , °C			$L_{A10}$ dB(A)
		6	8	10	6	8	10	
06	14,2	660	834	1009	524	698	873	<20
12	26,3	984	1227	1471	731	975	1219	<20
18	38,2	1239	1530	1820	872	1163	1454	<20
24	49,8	1426	1742	2058	948	1264	1580	24
30	60,4	1576	1908	2240	996	1328	1660	30
36	69,4	1685	2025	2365	1019	1359	1699	36

Beam length = 2.40 m (Coil length = 2.24 m)

(Parallel flow coil - 2 circuits)

Table 5: Water flow,  $q_w = 0.1$  l/s, Pressure drop,  $\Delta p_w = 4.5$  kPa

Nozzle opening mm	$q_{air}$ l/s	$P_{tot}$ in W for $\Delta t$ , °C			$P_{coil}$ in W for $\Delta t$ , °C			$L_{A10}$ dB(A)
		6	8	10	6	8	10	
06	10,7	472	595	718	369	492	615	<20
12	21,0	745	927	1108	544	725	906	<20
18	30,4	938	1153	1368	646	861	1076	<20
24	39,9	1097	1335	1573	714	952	1190	20
30	49,0	1231	1484	1738	761	1014	1268	25
36	57,0	1342	1607	1872	795	1060	1325	29

Beam length = 3 m (Coil length = 2.84 m)

(Parallel flow coil - 2 circuits)

Table 6: Water flow,  $q_w = 0.1$  l/s, Pressure drop,  $\Delta p_w = 5.5$  kPa

Nozzle opening mm	$q_{air}$ l/s	$P_{tot}$ in W for $\Delta t$ , °C			$P_{coil}$ in W for $\Delta t$ , °C			$L_{A10}$ dB(A)
		6	8	10	6	8	10	
06	14,2	612	770	929	476	634	793	<20
12	26,3	933	1160	1387	681	908	1135	<20
18	38,2	1177	1448	1718	811	1081	1351	<20
24	49,8	1364	1659	1954	886	1181	1476	24
30	60,4	1510	1820	2130	930	1240	1550	30
36	69,4	1622	1940	2259	956	1274	1593	36

**TWO-WAY CHILLED BEAM 8 ROWS (2-PIPE SYSTEM) AT PRESSURE DROP 70 PA ON THE AIR SIDE Ø125 MM**

**Beam length = 1.20 m (Coil length = 1.04 m)**

Table 7: Water flow,  $q_w = 0.05$  l/s, Pressure drop,  $\Delta p_w = 3.4$  kPa

Nozzle opening mm	$q_{air}$ l/s	$P_{tot}$ in W for $\Delta t$ , °C			$P_{coil}$ in W for $\Delta t$ , °C			$L_{A10}$ dB(A)
		6	8	10	6	8	10	
06	5,5	219	274	329	166	221	276	<20
12	10,4	335	413	491	235	313	391	<20
18	15,0	428	522	617	284	378	473	<20
24	19,6	504	609	714	316	421	526	<20
30	24,0	570	683	797	340	453	566	<20
36	28,5	628	746	864	354	472	590	21

**Beam length = 180 m (Coil length = 1.64 m)**

Table 8: Water flow,  $q_w = 0.05$  l/s, Pressure drop,  $\Delta p_w = 4.5$  kPa

Nozzle opening mm	$q_{air}$ l/s	$P_{tot}$ in W for $\Delta t$ , °C			$P_{coil}$ in W for $\Delta t$ , °C			$L_{A10}$ dB(A)
		6	8	10	6	8	10	
06	9,0	346	432	519	260	346	433	<20
12	16,4	529	652	776	371	495	619	<20
18	23,5	669	817	964	443	591	739	<20
24	30,5	786	951	1115	494	658	823	<20
30	37,5	887	1062	1238	527	702	878	25
36	43,6	970	1154	1337	551	735	919	29

**Beam length = 2.40 m (Coil length = 2.24 m)**

Table 9: Water flow,  $q_w = 0.05$  l/s, Pressure drop,  $\Delta p_w = 5.5$  kPa

Nozzle opening mm	$q_{air}$ l/s	$P_{tot}$ in W for $\Delta t$ , °C			$P_{coil}$ in W for $\Delta t$ , °C			$L_{A10}$ dB(A)
		6	8	10	6	8	10	
06	10,7	452	569	685	350	466	583	<20
12	21,0	707	876	1044	506	674	843	<20
18	30,4	893	1093	1293	601	801	1001	<20
24	39,9	1045	1266	1487	662	883	1104	20
30	49,0	1170	1403	1637	700	933	1166	25
36	57,0	1275	1518	1761	728	971	1214	29

**Beam length = 3 m (Coil length = 2.84 m)**

Table 10: Water flow,  $q_w = 0.05$  l/s, Pressure drop,  $\Delta p_w = 6.7$  kPa

Nozzle opening mm	$q_{air}$ l/s	$P_{tot}$ in W for $\Delta t$ , °C			$P_{coil}$ in W for $\Delta t$ , °C			$L_{A10}$ dB(A)
		6	8	10	6	8	10	
06	14,2	583	732	881	447	596	745	<20
12	26,3	885	1095	1306	632	843	1054	<20
18	38,2	1118	1369	1619	752	1002	1253	<20
24	49,8	1298	1571	1844	820	1093	1366	24
30	60,4	1444	1732	2020	864	1152	1440	30
36	69,4	1552	1847	2142	886	1181	1476	36

**TWO-WAY CHILLED BEAM 8+2 ROWS (4-PIPE SYSTEM - COOLING/HEATING) AT PRESSURE DROP 70 PA ON THE AIR SIDE Ø125 MM**

**Beam length = 1.20 m (Coil length = 1.04 m)**

Table 11: Water flow,  $q_w = 0.05$  l/s, Pressure drop,  $\Delta p_w = 3.4$  kPa

Nozzle opening mm	$q_{air}$ l/s	$P_{tot}$ in W for $\Delta t$ , °C			$P_{coil}$ in W for $\Delta t$ , °C			$L_{A10}$ dB(A)
		6	8	10	6	8	10	
06	5,5	234	295	355	182	242	303	<20
12	10,4	356	441	526	256	341	426	<20
18	15,0	452	554	657	308	410	513	<20
24	19,6	530	644	758	342	456	570	<20
30	24,0	596	717	839	365	487	609	<20
36	28,5	652	778	904	378	504	630	21

**Beam length = 180 m (Coil length=1.64 m)**

Table 12: Water flow,  $q_w = 0.05$  l/s, Pressure drop,  $\Delta p_w = 4.5$  kPa

Nozzle opening mm	$q_{air}$ l/s	$P_{tot}$ in W for $\Delta t$ , °C			$P_{coil}$ in W for $\Delta t$ , °C			$L_{A10}$ dB(A)
		6	8	10	6	8	10	
06	9.0	371	465	560	284	379	474	<20
12	16,4	561	695	830	404	538	673	<20
18	23,5	705	865	1024	479	639	799	<20
24	30,5	824	1001	1178	531	708	885	<20
30	37,5	923	1111	1299	563	751	939	25
36	43,6	1006	1202	1397	587	783	979	29

**Beam length= 2.40 m (Coil length = 2.24 m)**

Table 13: Water flow,  $q_w = 0.05$  l/s, Pressure drop,  $\Delta p_w = 5.5$  kPa

Nozzle opening mm	$q_{air}$ l/s	$P_{tot}$ in W for $\Delta t$ , °C			$P_{coil}$ in W for $\Delta t$ , °C			$L_{A10}$ dB(A)
		6	8	10	6	8	10	
06	10,7	484	611	738	381	508	635	<20
12	21,0	754	938	1122	552	736	920	<20
18	30,4	944	1162	1379	653	870	1088	<20
24	39,9	1099	1338	1577	716	955	1194	20
30	49,0	1223	1474	1725	753	1004	1255	25
36	57,0	1327	1587	1847	780	1040	1300	29

**Beam length = 3 m (Coil length = 2.84 m)**

Table 14: Water flow,  $q_w = 0.05$  l/s, Pressure drop,  $\Delta p_w = 6.7$  kPa

Nozzle opening mm	$q_{air}$ l/s	$P_{tot}$ in W for $\Delta t$ , °C			$P_{coil}$ in W for $\Delta t$ , °C			$L_{A10}$ dB(A)
		6	8	10	6	8	10	
06	14,2	628	792	956	492	656	820	<20
12	26,3	941	1170	1400	689	918	1148	<20
18	38,2	1180	1452	1723	814	1085	1356	<20
24	49,8	1362	1657	1952	884	1179	1474	24
30	60,4	1499	1806	2112	920	1226	1533	30
36	69,4	1613	1928	2244	947	1262	1578	36

## TECHNICAL DATA FOR HEATING

### TWO-WAY CHILLED BEAM 8+2 ROWS (4-PIPE SYSTEM - COOLING/HEATING) AT PRESSURE DROP 70 PA ON THE AIR SIDE Ø125 MM.

Beam length = 1.20 m (Coil length = 1.04 m)

Table 15: Water flow,  $q_w = 0.05$  l/s, Pressure drop,  $\Delta p_w = 2,0$  kPa

Nozzle opening mm	$q_{air}$ l/s	$P_{coil\ heat}$ in W for $\Delta t, ^\circ C$			$L_{A10}$ dB(A)
		10	15	20	
06	5,5	132	198	264	<20
12	10,4	166	249	332	<20
18	15,0	187	280	373	<20
24	19,6	198	297	396	<20
30	24,0	203	305	407	<20
36	28,5	206	309	412	21

Beam length = 2.40 m (Coil length = 2.24 m)

Table 17: Water flow,  $q_w = 0.05$  l/s, Pressure drop,  $\Delta p_w = 2,8$  kPa

Nozzle opening mm	$q_{air}$ l/s	$P_{coil\ heat}$ in W for $\Delta t, ^\circ C$			$L_{A10}$ dB(A)
		10	15	20	
06	10,7	279	418	557	<20
12	21,0	356	534	712	<20
18	30,4	396	594	792	<20
24	39,9	417	626	835	20
30	49,0	424	636	848	25
36	57,0	360	540	720	29

Beam length = 180 m (Coil length = 1.64 m)

Table 16: Water flow,  $q_w = 0.05$  l/s, Pressure drop,  $\Delta p_w = 2,5$  kPa

Nozzle opening mm	$q_{air}$ l/s	$P_{coil\ heat}$ in W for $\Delta t, ^\circ C$			$L_{A10}$ dB(A)
		10	15	20	
06	9,0	206	309	412	<20
12	16,4	261	391	521	<20
18	23,5	294	441	588	<20
24	30,5	309	464	619	<20
30	37,5	315	473	631	25
36	43,6	319	479	639	29

Beam length = 3 m (Coil length = 2.84 m)

Table 18: Water flow,  $q_w = 0.05$  l/s, Pressure drop,  $\Delta p_w = 3,5$  kPa

Nozzle opening mm	$q_{air}$ l/s	$P_{coil\ heat}$ in W for $\Delta t, ^\circ C$			$L_{A10}$ dB(A)
		10	15	20	
06	14,2	357	536	715	<20
12	26,3	448	672	896	<20
18	38,2	500	750	1000	<20
24	49,8	525	787	1049	24
30	60,4	529	794	1059	30
36	69,4	531	797	1063	36



## TECHNICAL AND SOUND DATA

### CONDITIONS FOR COOLING PERFORMANCE TABLES

Total cooling effect of beam,  $P_{tot}$  = cooling effect of coil,  $P_{coil}$  + cooling effect of supply air,  $P_{air}$ .

- Air side total pressure drop of 70 Pa.
- Water flow rate of 0.05 l/s per circuit.
- $\Delta t = 8^\circ \text{C}$  between room temperature and mean water temperature.
- $\Delta t = 8^\circ \text{C}$  between room temperature and supply air temperature.

Performance for water flows other than 0.05 l/s can be found in the FläktGroup product selection tool Select ([select.flaktgroup.com](http://select.flaktgroup.com))

The tables here are based on tests done according to the EN 15116 standard. The purpose of this standard is to be able to compare performances of different chilled beams on the same terms. The external heat supply method has been used where heating has been supplied evenly over the floors and walls such that the on-coil temperature is the same as the temperature at 1.1 m above floor level (seated head height).

In actual conditions, the temperature difference is normally  $1^\circ \text{C}$ . This is why the temperature  $\Delta t$  should be increased by  $1^\circ \text{C}$  to avoid over dimensioning of the beam.

This means that the table value concerned can be increased by 10%. As such it is not uncommon for selections in Select to have  $1^\circ \text{C}$  increase between ceiling temperature and room temperature.

### DEFINITIONS

$q_l$	Supply airflow, l/s
$P_{tot}$	Total cooling effect, W
$P_{coil}$	Cooling effect of the coil, W
$P_{coil \text{ heat}}$	Heating effect of the coil, W
$\Delta t$	Difference between room air temperature and average water temperature, $^\circ \text{C}$
$\Delta p_w$	Pressure drop water, kPa
$\Delta t_w$	$(^\circ \text{C}) = P_{coil} \text{ (W)} / 208$
$\Delta t_w$	$(\text{US imperial}) - \Delta t_w \text{ (}^\circ \text{F)} = P_{coil} \text{ (BTU/tim)} / 81177$
$L_{A10}$	Sound pressure level in a room with $10 \text{ m}^2$ room absorption, dB(A)

### SOUND POWER LEVEL

WEGA II	Correction K dB   Octave band, middle frequency, Hz							
	63	125	250	500	1000	2000	4000	8000
120	4	3	4	3	0	-8	-17	-18
180	4	3	4	3	0	-8	-17	-18
240	4	3	4	3	0	-8	-17	-18
300	4	3	4	3	0	-8	-17	-18
Tol $\pm$	4	2	2	1	1	2	3	8

The sound power levels for every octave band are obtained by adding together the sound pressure level  $L_{A10}$ , dB(A), and the corrections K oct given in the table above, according to the following formula:

$$L_W = L_{A10} + K_{oct}$$

Correction  $K_{oct}$  is the average in the area of application of the chilled beam.

### SOUND ATTENUATION

The average sound attenuation  $\Delta L$  of the chilled beam from duct to room includes the end reflection of the connecting duct.

WEGA II	Sound attenuation in supply air duct of the beam $\Delta L$ , dB							
	Octave band, middle frequency, Hz							
	63	125	250	500	1000	2000	4000	8000
120	26	17	16	20	19	19	24	20
180	26	17	16	20	19	19	24	20
240	26	17	16	20	19	19	24	20
300	26	17	16	20	19	19	24	20

### TECHNICAL DATA FOR UNEQUAL AIR DIFFUSION

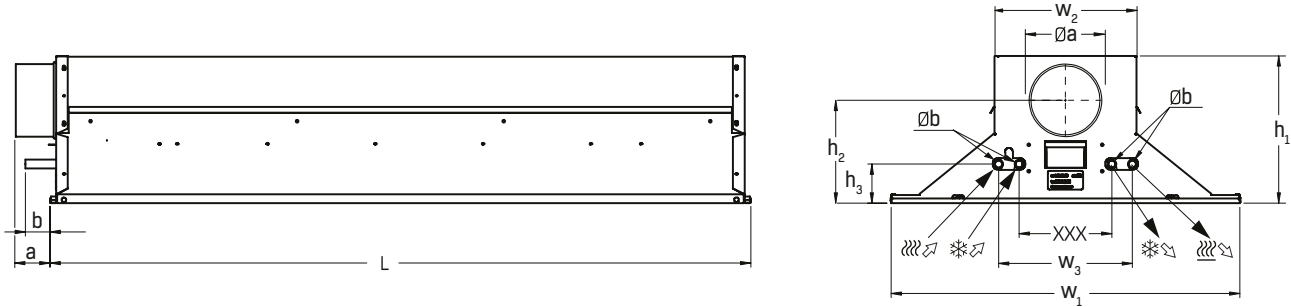
A chilled beam with two-way air distribution utilizes the coil in full capacity, which is not the case in one-way distribution or middle positions.

Table 19: Cooling capacity (W) for the coil with 10 rows at  $\Delta t = 8^\circ \text{C}$ , Total pressure 70 Pa and water flow 0.05 l/s.

Beam length, cm	120		180		240		300	
	Nozzle setting, mm	10 rows	Nozzle setting, mm	10 rows	Nozzle setting, mm	10 rows	Nozzle setting, mm	10 rows
36 -06	17,3	404	27,3	627	36,2	835	46,4	1029
36 -12	19,7	573	31,0	889	41,4	1194	52,7	1459
30 -06	14,9	393	23,9	611	31,3	813	40,2	1013
30 -12	17,4	447	27,6	696	36,5	933	46,4	1152
24 -06	12,6	374	20,1	583	26,0	780	33,5	981
24 -12	15,1	536	23,8	834	31,3	1125	39,7	1399
18 -06	10,3	349	16,4	544	20,9	735	26,9	931
18 -12	12,7	404	20,1	629	26,1	855	33,1	1069

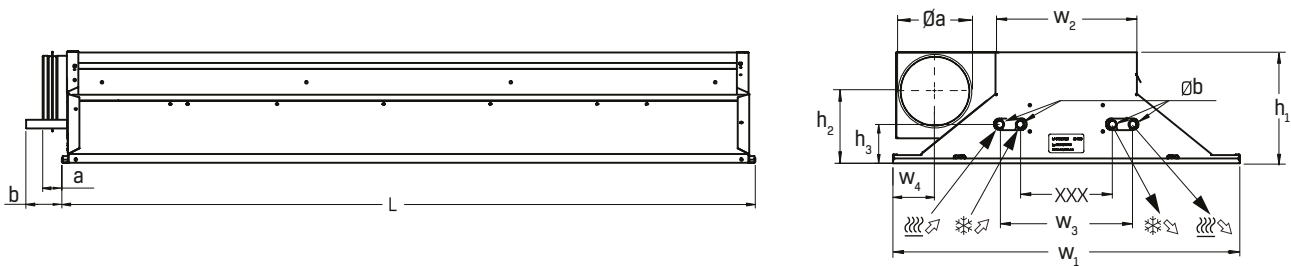
## DIMENSIONS AND WEIGHT

### IQII-aaa-11/13-cc-dd-e



Øa	Øb	a	b	w1	w2	w3	h1	h2	h3
125	15	44	42	594	242	228	250	175	67

### IQII-aaa-61/63-cc-dd-e



Øa	Øb	a	b	w1	w2	w3	w4	h1	h2	h3
125	15	29	42	594	242	228	70	190	121	67

Length, aaa	120 cm	180 cm	240 cm	300 cm
L, mm	1194	1794	2394	2994

-cc-	Coil rows	XXX (mm)
03, 04	8	228
07, 08	10	228
09, 10	8+2	158

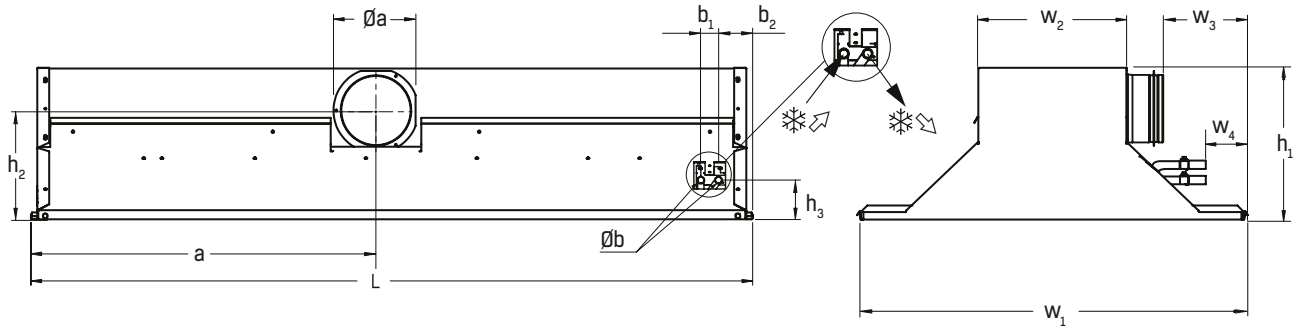
- = Cooling water in
- = Cooling water out
- = Heating water in
- = Heating water out

Air connection is female for bb = 11, 13.

Air connection is male for bb = 61, 63.

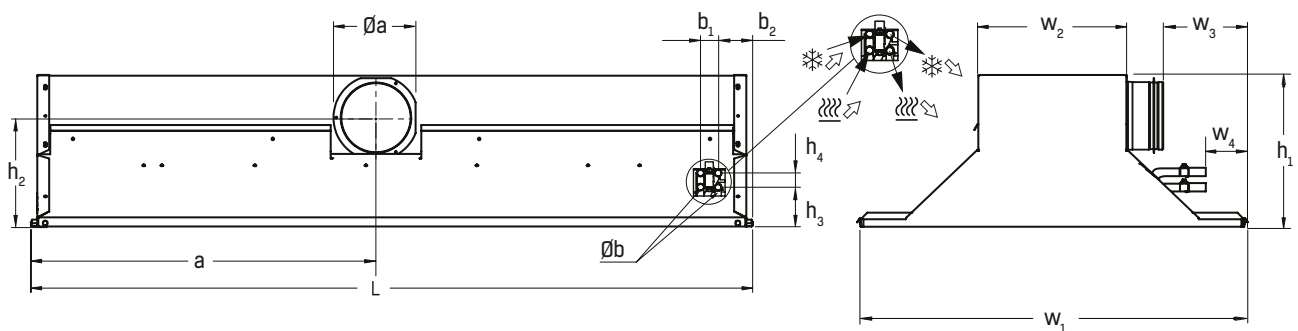
Water connections are male.

**IQII-aaa-22/44-cc-dd-e (2 PIPE SYSTEM)**



$\varnothing a$	$\varnothing b$	a	b1	b2	w1	w2	w3	w4	h1	h2	h3
125	15	L/2	35	53	594	242	138	37	250	177	67

**IQII-aaa-22/44-cc-dd-e (4 PIPE SYSTEM)**



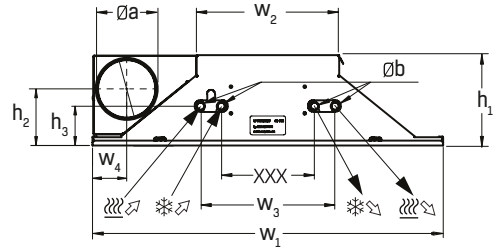
$\varnothing a$	$\varnothing b$	a	b1	b2	w1	w2	w3	w4	h1	h2	h3	h4
125	15	L/2	35	53	594	242	138	37	250	177	67	28

Length, aaa	120 cm	180 cm	240 cm	300 cm
L, mm	1194	1794	2394	2994

- = Cooling water in
- = Cooling water out
- = Heating water in
- = Heating water out

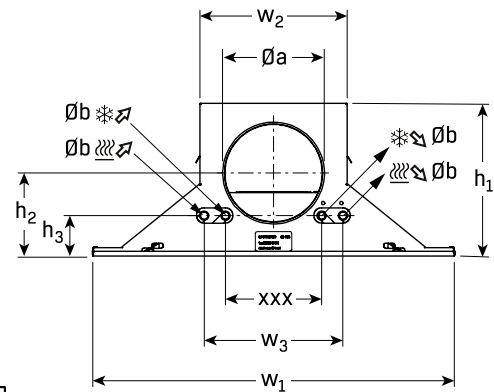
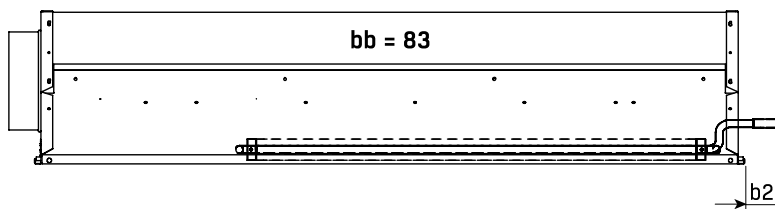
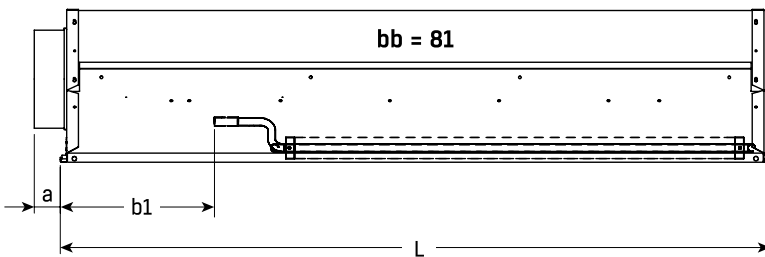
Air connection are male  
Water connections are male.

**IQII-aaa-71/73-cc-dd-e**



Øa	Øb	a	b	w1	w2	w3	w4	h1	h2	h3
100	15	4	42	594	242	228	58	152	96	67

**IQII-aaa-81/83-cc-dd-e**



Øa	Øb	a	b1	b2	w1	w2	w3	h1	h2	h3
160	15	44	258	54	594	242	228	250	136,5	67

Length, aaa	120 cm <sup>1)</sup>	180 cm <sup>1)</sup>	240 cm	300 cm
L, mm	1194	1794	2394	2994

<sup>1)</sup> Not for bb = 81 and 83

-cc-	Coil rows	XXX (mm)
03, 04	8	228
07, 08	10	228
09, 10	8+2	158

- = Cooling water in
- = Cooling water out
- = Heating water in
- = Heating water out

Air connection are male for 71/73  
 Air connection is female for for bb = 81, 83  
 Water connections are male.

**WATER CONTENT**

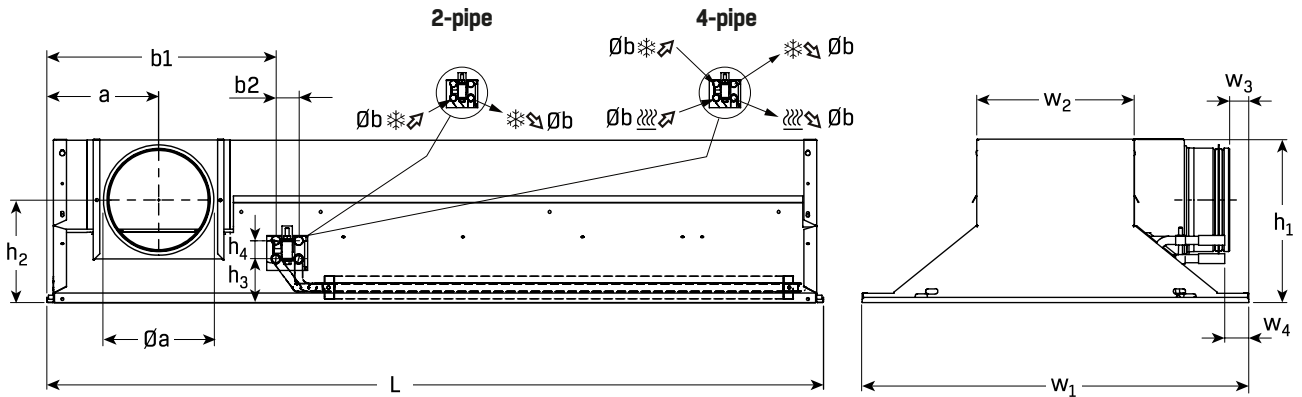
Water volume cooling/heating	Coil rows	Water content per length coil l/m
Cooling	10 rows	1,13
Cooling	8 rows	0,91
Heating	2 rows	0,23

**WEIGHT**

Length, aaa	120 cm <sup>1)</sup>	180 cm <sup>1)</sup>	240 cm	300 cm
Beam dry weight, kg	19	27	35	43
Beam water filled, kg	20	28	37	45

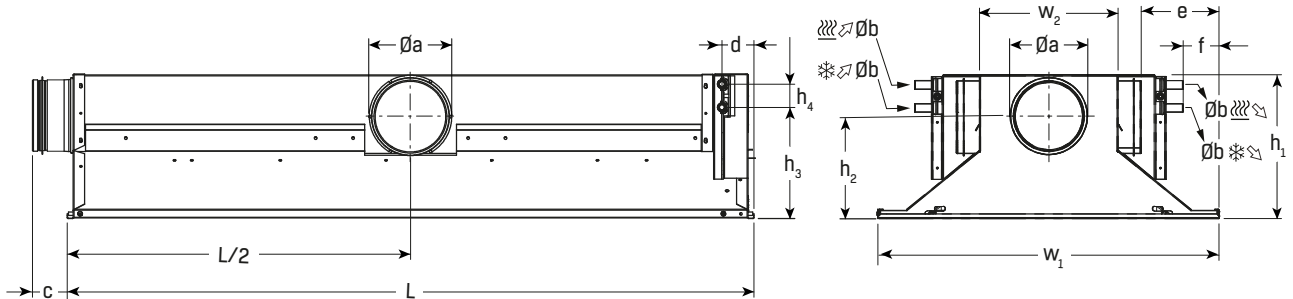
<sup>1)</sup> Not for bb = 81 and 83

**IQII-aaa-82/84-cc-dd-e**



Øa	Øb	a	b1	b2	w1	w2	w3	w4	h1	h2	h3	h4
160	15	172	353	35	594	242	29	37	250	158	68	28

**IQII-aaa-90-cc-dd-e**



Øa	Øb	c	d	e	f	w1	w2	h1	h2	h3	h4
125	15	60	56	135	62.5	594	242	250	177	193	40

Length, aaa	120 cm <sup>1)</sup>	180 cm <sup>1)</sup>	240 cm	300 cm
L, mm	1194	1794	2394	2994

<sup>1)</sup> Not for bb = 82 and 84

-cc-	Coil rows	XXX (mm)
03, 04	8	228
07, 08	10	228
09, 10	8+2	158

- ☄ = Cooling water in
- ☄ = Cooling water out
- ☄ = Heating water in
- ☄ = Heating water out

Air connections are male.  
Water connections are male.

**WATER CONTENT**

Water volume cooling/heating	Coil rows	Water content per length coil l/m
Cooling	10 rows	1,13
Cooling	8 rows	0,91
Heating	2 rows	0,23

**WEIGHT**

Length, aaa	120 cm <sup>1)</sup>	180 cm <sup>1)</sup>	240 cm	300 cm
Beam dry weight, kg	19	27	35	43
Beam water filled, kg	20	28	37	45

<sup>1)</sup> Not for bb = 82 and 84

## ACCESSORIES

### INSTALLATION WITH FASTENING QFAZ-19

A suspension bracket facilitates the suspension of chilled beams from the ceiling. Two brackets are used for each beam. The brackets can be ordered in advance or along with the chilled beam. The suspension brackets can be fitted directly to the ceiling or onto channel support bars. The chilled beam is simply attached by pressing it against the bracket until it clicks into place. No tools are needed. After this, the chilled beam can be adjusted lengthwise by sliding the bracket along the beam's fastening points. To adjust it sideways, slide the threaded bars along the grooves in the bracket.

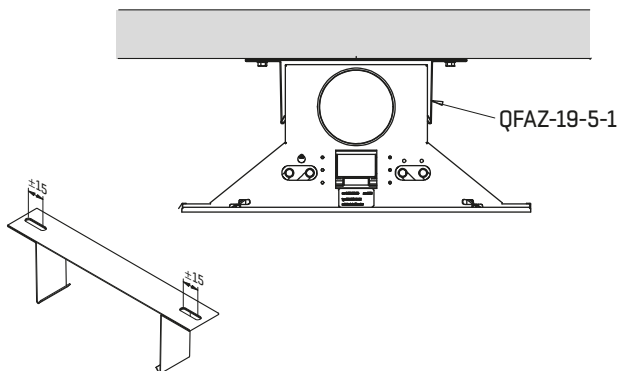


Figure 2: QFAZ-19-5-1

If there is a need for adjusting the vertical installation height, suspension brackets and suspension rods M8 (QFAZ-12) can be ordered as well.

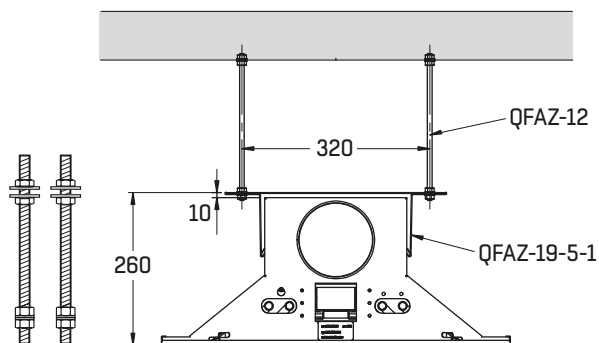


Figure 3: QFAZ-12

### INSTALLATION OF THE INTERMEDIATE HEIGHT VERSION

To install intermediate height version in limited void spaces, QFAZ-19 can be ordered.

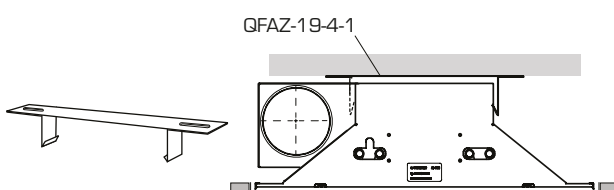


Figure 4: QFAZ-19-4-1

### INSTALLATION OF THE LOW-BUILD VERSION

To install low height version in limited void spaces, QFAZ-19 or IQAZ-02 can be ordered.

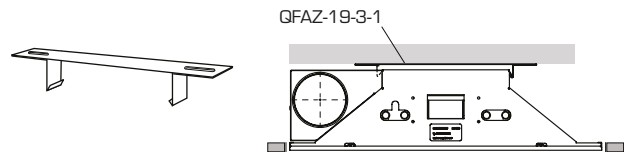


Figure 5: QFAZ-19-3-1

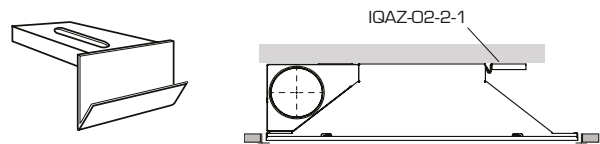


Figure 6: IQAZ-02-2-1

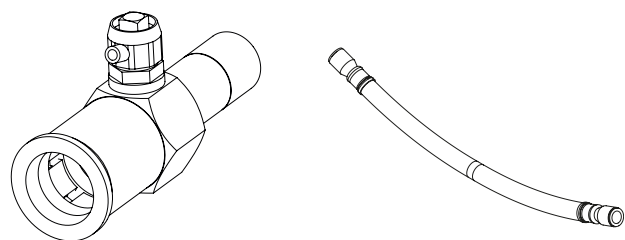
For more information regarding the installation procedures, please see the installation manual for this chilled beam.

### PURGING NIPPLE

Purging nipple is available on demand and can be selected in product code.

### FLEXIBLE HOSES

Flexible hoses are available with push-on connection for easy installation.



Purging nipple

IQAZ-19 flexible hose with push-on connection.

### NOZZLE ACTUATOR FOR PI FUNCTION

This chilled beam can be ordered with pressure independent air-flow control function which requires installation of IQAZ-35 nozzle actuator. The actuator comes with Modbus communication and can be supplied loose for post installation.

The actuator is always positioned on the same gabel as the water connections or the gabel nearest the water connections (bb = 22, 44) except for bb = 81 - 84 (X-flow) where the actuator is mounted on top of the front plate inside the chilled beam.

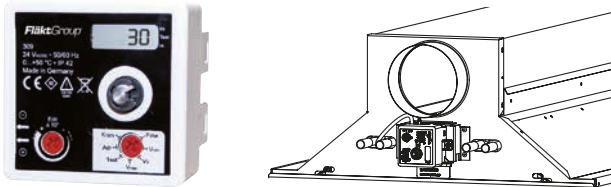
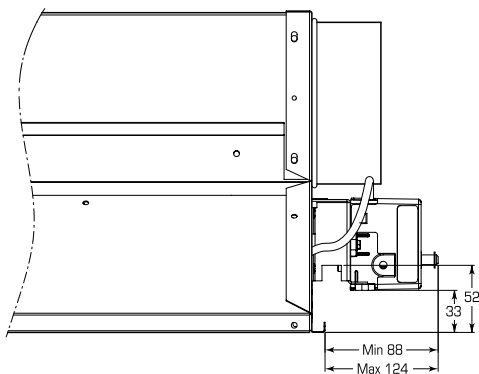


Figure 7: IQAZ-35



For more information regarding the installation procedures, please see the installation manual for this chilled beam.

**EXTENDED CASING**

This chilled beam is available with extended casing enabling access to the valves, VAV actuator and connections just by opening the front plate. Extended casing is available in 300 mm and 600 mm length. The extension is always located on the same gabel end as the water connection or the gabel nearest the water connections (bb = 22, 44)

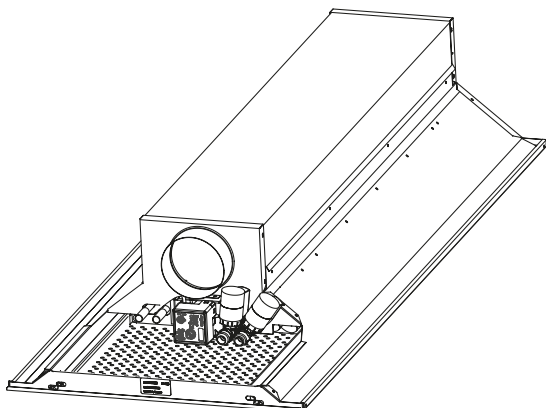


Figure 8: Extended casing

**EXTENDED CASING BACK COVER**

An unpainted back cover plate for the extended casing section is available as an accessory (IQAZ-17). It will be mounted above the faceplate within extended casing section and can be used as a hygienic barrier between room and void space, also serving to hide services and connections contained in this section.

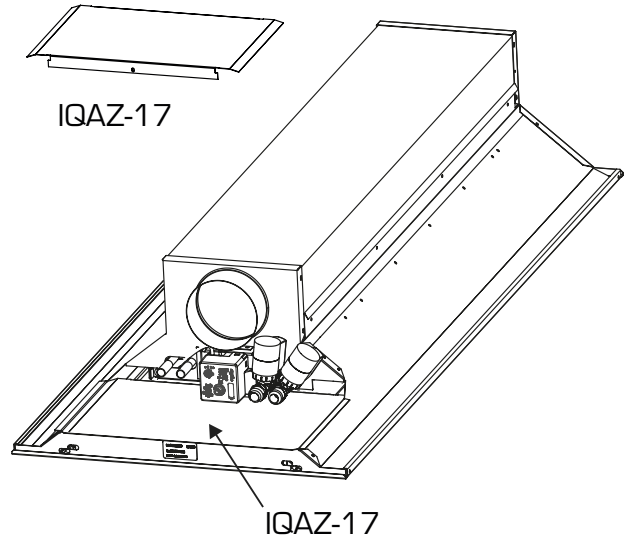


Figure 9: IQAZ-17 cross talk protection plate

**ELECTRICAL HEATING**

This chilled beam is available with 300 W electrical heating as an option comprising 2x150 W electrical heating films each measuring 950x135 mm.

The electrical heater works by providing local heating to the supply air within plenum chamber.

When electrical heater is used in the chilled beam, it heats the primary air which is mixed with the inducted room air and then delivered to the room. Air is heated and the mixing of the room air will decrease slightly compared with when you are mixing with cold air. The temperature difference between the floor and the ceiling will increase slightly.

**Warning!** Electrical heater must only operate when supply airflow is above 7 l/s.m (airflow per active m of chilled beam) or there is high risk of overheating of plenum chamber.

For more information regarding the electrical heating, please see the both **Function - Electrical heating** technical and installation documents.

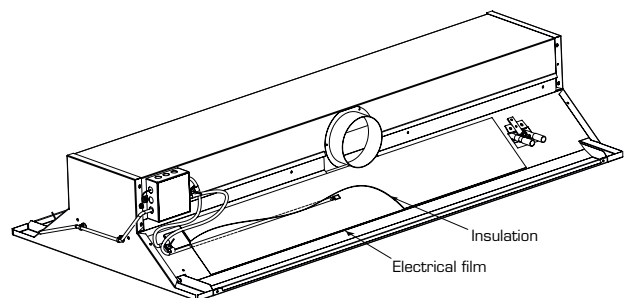


Figure 10: IQAZ-27 electrical film

## ROOM CONTROLLER STRA-24

STRA-24 is a pre-programmed room controller intended to control the temperature and the CO<sub>2</sub> level in rooms. It manages the water coil actuator and the actuator of the Pi function. It is pre-programmed with communication and is intended for use in premises with high comfort and low energy demands.

The STRA-24 is able to optimise energy consumption in rooms depending on different parameters: occupancy, CO<sub>2</sub> level, outside conditions (free cooling feature) and timetable.

Different modes are offered : OFF, Standby, occupied and boost. For each modes, different sequences between water and air are possible : cooling without free cooling, cooling with free cooling and airflow depending on CO<sub>2</sub>.

For more information regarding this product and related accessories, please see the STRA-24 technical catalogue.



Figure 12: STRA-24 Room Controller

## VALVES AND ACTUATORS

To see full description and technical data for valve kit, please see the STRA Accessories catalogue.



Figure 13: STRZ-70

## INTEGRATED CONTROL

WEGA II is available with integrated control by ordering the accessory STRZ-76. The room controller can be positioned in three different locations depending on the desired level of accessibility.

Actuators and valves are attached to WEGA II in the factory for compression fitting and assemble on site. It is delivered with valves from Siemens. The valves, optional condensate sensor and optional PIR (presence detector) are factory wired to a terminal block which is mounted on the side of the unit. The PIR is mounted and integrated in the frontplate. If the Pi-actuator (IQAZ-35) is chosen it will also be wired to the terminal block.

The integrated control offers Modbus or Bacnet communication as standard and it allows you to connect directly to the IPSUM system without using the IPSUM Connection unit.

From the room controller, it is possible to make the commissioning, increase and decrease temperature and display main information.

For more information regarding this product and related accessories, please see the STRA-24 technical catalogue and STRA Accessories catalogue.

## SLAVE



For parallel control. On site the installer needs to connect the room controller from the master beam to the terminal block placed on the side of the WEGA II.

<b>Code:</b>	STRZ-76-00-cc-1-ee
<b>Connection Socket:</b>	YES
<b>Cooling/Heating:</b>	Cooling/Heating
<b>External temperature sensor included:</b>	NO
<b>Applicable for Chilled beam height:</b>	250 mm (bb = 11, 13, 81)

## CONTROLLER SUPPLIED LOOSE



The room controller is supplied loose. On site the installer needs to connect the room controller to the terminal block placed on the side of WEGA II. This configuration uses the integrated temperature sensor in the room controller.

As an additional option a condensation sensor is available, this will be factory wired so once on site it can be placed at the optimal location.

<b>Code:</b>	STRZ-76-01-cc-1-ee
<b>Connection Socket:</b>	YES
<b>Cooling/Heating:</b>	Cooling/Heating
<b>External temperature sensor included:</b>	NO
<b>Applicable for Chilled beam height:</b>	250 mm (bb = 11, 13, 81)



**CONTROLLER MOUNTED ON SIDE**

The room controller is factory mounted on the side of WEGA II and factory wired. This configuration includes a factory wired external temperature sensor installed below the coil. As an additional option a condensation sensor is available, this will be factory wired so once on site it can be placed at the optimal location.

<b>Code:</b>	STRZ-76-02-cc-1-ee
<b>Connection Socket:</b>	YES
<b>Cooling/Heating:</b>	Cooling <sup>1)</sup>
<b>External temperature sensor included:</b>	YES
<b>Applicable for Chilled beam height:</b>	250 mm (bb = 11, 13, 81 <sup>2)</sup> )

<sup>1)</sup> Heating extra. Wall mounted temperature sensor needed.

<sup>2)</sup> For X-flow. Controller mounted on top of the frontplate.

**CONTROLLER INTEGRATED IN FRONT PLATE**

The room controller is integrated in the front plate of WEGA II and wired. This configuration uses the temperature sensor built into the room controller. As an additional option a condensation sensor is available, this will be factory wired so once on site it can be placed at the optimal location.

With this option the beam need to be ordered with a 300 mm extended casing (IQII-aaa-bb-cc-d-2). This does not apply to the X-flow version of WEGA II. Place of controls is within the length of the chilled beam.

<b>Code:</b>	STRZ-76-03-cc-1-ee
<b>Connection Socket:</b>	YES
<b>Cooling/Heating:</b>	Cooling <sup>1)</sup>
<b>External temperature sensor included:</b>	NO
<b>Applicable for Chilled beam height:</b>	250 mm (bb = 11, 13)

<sup>1)</sup> Heating extra. Wall mounted temperature sensor needed.

## PRODUCT CODE

### PRODUCT CODE

#### WEGA II chilled beam

IQII-aaa-bb-cc-d-e

Length cm (aaa) \_\_\_\_\_  
120, 180, 240, 300

Connection alternative (bb) \_\_\_\_\_

11 = Air/Water same gable. Height = 250 mm. Air connection = Ø125 mm.

13 = Air/Water opposite gable. Height = 250 mm. Air connection = Ø125 mm.

22 = Air/Water left side. Height = 250 mm. Air connection = Ø125 mm.

44 = Air/Water right side. Height = 250 mm. Air connection = Ø125 mm.

61 = Air/Water same gable. Height = 190 mm. Air connection = Ø125 mm.

63 = Air/Water opposite gable. Height = 190 mm. Air connection = Ø125 mm.

71 = Air/Water same gable. Height = 152 mm. Air connection = Ø100 mm.

73 = Air/Water opposite gable. Height = 152 mm. Air connection = Ø100 mm.

81 = X-Flow, Air/Water same gable. Height = 250 mm. Air connection = Ø160 mm

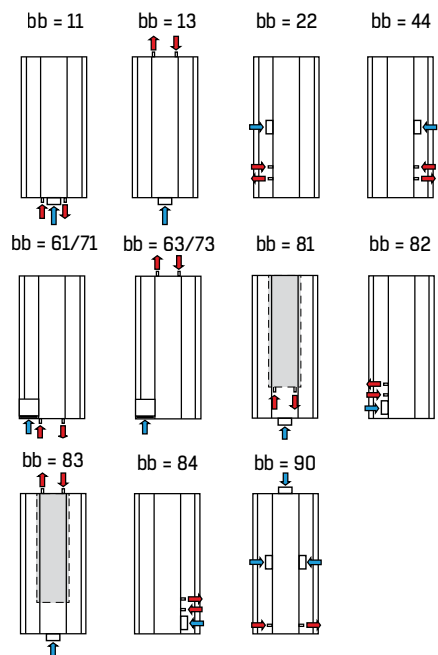
83 = X-Flow, Air/Water opposite gable. Height = 250 mm. Air connection = Ø160 mm

82 = X-Flow, Air/Water left side. Height = 250 mm. Air connection = Ø160 mm

84 = X-Flow, Air/Water right side. Height = 250 mm. Air connection = Ø160 mm

90 = Hygienic execution, Air left, right and behind, Water outlet left, exit right

Height = 250mm. Air connection = Ø125 mm (only for cc=07-10, 15-18 and e = 1)



Coil construction (cc) \_\_\_\_\_

07 = Cooling 10 tubes

08 = Cooling 10 tubes with purging nipple

09 = Cooling\Heating - 8\2 tubes

10 = Cooling\Heating - 8\2 tubes with purging nipple

15 = Hygiene treated cold - 10 tubes (only bb = 90)

16 = Hygiene treated cold - 10 tubes with purging nipple (only bb = 90)

17 = Hygiene treated Cooling\Heating - 10 tubes (only bb = 90)

18 = Hygiene treated Cooling\Heating - 10 tubes with purging nipple (only bb = 90)

Coil option for aaa = 240 & 300

13 = Low pressure drop coil-Cooling 10 tubes (not for bb = 22, 44, 82, 84, 90 or 81, 83 when aaa = 240)

14 = Low pressure drop coil-Cooling 10 tubes with purging nipple (not for bb = 22, 44, 82, 84, 90 or 81, 83 when aaa=240)

Comfort Control (d) \_\_\_\_\_

1 = Without FPC

2 = With FPC

False ceiling type (e) \_\_\_\_\_

1 = T24, 12 mm gables, width = 594 mm

2 = T24, 12 mm gables, width = 594 mm, extended casing 300 mm (not for bb = 13, 63, 73, 83, 90)

3 = T24, 12 mm gables, width = 594 mm, extended casing 600 mm (not for bb = 13, 63, 73, 83, 90)

## ACCESSORIES CODES

### Pi Function actuator

(With Modbus Communication)

**IQAZ-35-bb-c-1-e**

Beam type (bb)

01 = WEGA II

02 = WEGA X-flow

Cable execution (c)

1 = Cabel 1 m without contact

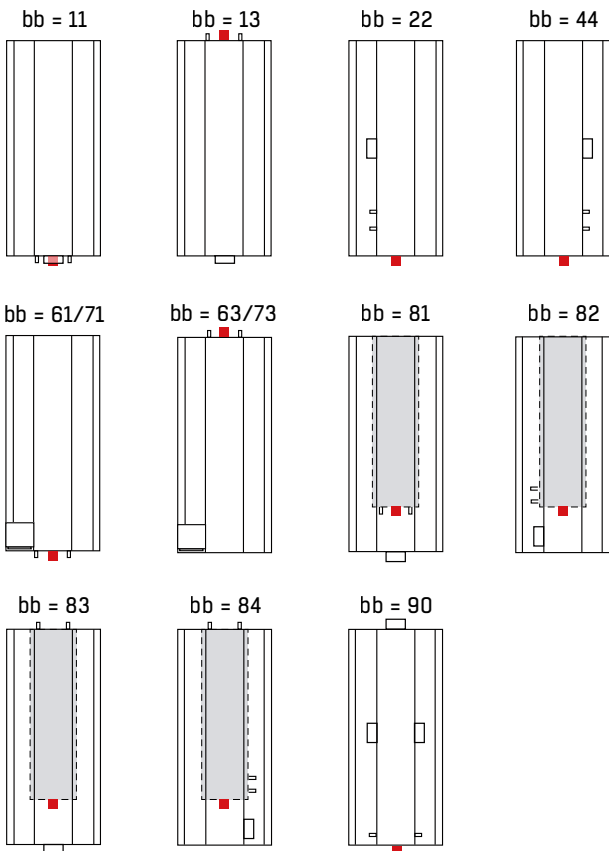
2 = Cabel 80 mm with RJ45-contact (female) for use with IPSUM Connection unit and is not compatible in combination with STRZ-76<sup>1)</sup>

<sup>1)</sup> Please note that RJ45-contact has a extended delivery time

Installation (e)

1 = Installed on chilled beam, see figure below.

2 = Supplied loose



■ = IQAZ-35

### Pre-set Pi actuator

**IQAZ-36-bbb-cccccc**

k100% (bbb)

**H=250mm**

**H=190mm**

**H=152mm**

**X-Flow**

354=IQII-120

350=IQII-120

328=IQII-120

958=IQII-240

564=IQII-180

540=IQII-180

520=IQII-180

126<sup>2)</sup>=IQII-300

752=IQII-240

730=IQII-240

680 = IQII-240

966=IQII-300

940=IQII-300

890 = IQII-300

<sup>2)</sup> For values above 9.99 adjust decimal placement on the actuator to one decimal

Airflow  $V_0$ ,  $V_{min}$ ,  $V_{max}$  in l/s (cccccc)<sup>3)</sup>

cc---- =  $V_0$

--CC-- =  $V_{min}$

----CC =  $V_{max}$

<sup>3)</sup> Ordering example below

Eg: IQAZ-36-354-020420

• k100% = 3.54

•  $V_0$  = 2 l/s

•  $V_{min}$  = 4 l/s

•  $V_{max}$  = 20 l/s

### Actuator and valve Siemens

**STRZ-70-bb-cc-0-1**

Valve (bb)

00 = Without

01 = DN15 (kvs 0.25-1.9) female 1/2" valve inlet

02 = DN20 (kvs 0.25-2.6) female 3/4" valve inlet

03 = DN25 (kvs 0.25-2.6) female 1" valve inlet

11 = DN15 (kvs 0.25-1.9) Compression ring valve inlet

21 = DN15 (kvs 0.25-1.9) Push on valve inlet

41 = DN15 Pressure independent (100-575 l/h) female 1/2" valve inlet

42 = DN20 Pressure independent (220-1330 l/h) female 3/4" valve inlet

43 = DN25 Pressure independent (280-1800 l/h) female 1" valve inlet

51 = DN15 Pressure independent (100-575 l/h) Compression ring valve inlet

61 = DN15 Pressure independent (100-575 l/h) Push on valve inlet

Valve actuator(cc)

00 = Without

01 = 24 V NC cable 1 m

11 = 24 V NO cable 1 m

21 = 230 V NC cable 1 m

31 = 230 V NO cable 1 m

**Integrated controls****STRZ-76-bb-cc-1-ee**

Only for IQII-aaa-11/13/81-cc-d-e

Placement of controller (bb) \_\_\_\_\_

00 = Without room controller (slave)

01 = Supplied loose

02 = Mounted on side

03 = Integrated in frontplate **(only for IQII-aaa-11-cc-dd-2)**

Sensors and valve kit (valve and actuator) (cc) \_\_\_\_\_

00 = Without sensor, valve and actuator cooling

01 = Cooling valvekit

02 = Cooling valvekit, condensate sensor

03 = Cooling valvekit, PIR

04 = Cooling valvekit, condensate sensor, PIR

05 = Cooling and heating valvekit

06 = Cooling and heating valvekit, condensate sensor

07 = Cooling and heating valvekit, PIR

08 = Cooling and heating valvekit, condensate sensor, PIR

09 = Without sensor, valve and actuator cooling/heating

WEGA II execution (ee) \_\_\_\_\_

06 = Standard, IQII-aaa-11/13-cc-d-e

07 = X-flow, IQII-aaa-81-cc-d-e

**Suspension rods M8****QFAZ-12**

Set with 2 pieces. Length 500 mm, 2 sets per beam

**Brackets, Set with 2 pieces, 1 set per beam****QFAZ-19-b-1**

Execution (b) \_\_\_\_\_

3 = For low-build version, 152mm

4 = For intermediate height version, 190mm

5 = For standard version, 250mm

**Fastening brackets, For low-built version,****IQAZ-02-2-1**

Set with 4 pieces, 1 set per beam

**Extended Casing back cover****IQAZ-17-bb-cc-d**

Execution (bb) \_\_\_\_\_

02 = Extended 600 mm

03 = Extended 300 mm

Beam type (cc) \_\_\_\_\_

05 = IQII cc=03-06 (6+2 & 8 tubes)<sup>4)</sup>

06 = IQII cc=07-10, 13-14 (8+2 &amp; 10 tubes)

<sup>4)</sup> **cc** is related to the chilled beam product code.

Please see Coil construction (cc) in Product code section.

Installation (d) \_\_\_\_\_

1 = Installed

2 = Supplied loose

**Electrical heating, 300W****IQAZ-27-bbb-1-0-01**

Length (bbb) cm \_\_\_\_\_

Chilled beam length (IQII-aaa).

**Flexible hose, supplied loose****IQAZ-19-550-010010**

Length = 550 mm

Push-on 15 mm connection

**Bend 90°, supplied loose****BDEB-90-bbb**

Diameter (bbb) \_\_\_\_\_

010 = 100 mm

012 = 125 mm

## ORDER EXAMPLE

### ORDER EXAMPLE

Here is an example to demonstrate an order complete with typical accessories. For more information about orders or specific requirements for special units, please contact your nearest Fläkt-Group sales office.

An order example for a room with 5 chilled beams. The beams are calculated as 240 cm length for required airflow and cooling capacity in product selection tool Select (<http://select.FlaktGroup.com>).

### CHILLED BEAMS

Product codes	Description	Quantity
IQII-240-11-10-2-1	WEGA II chilled beam, water cooling and heating with purging nipple, with FPC, for T24 ceiling	5
QFAZ-19-5-1	Fastning bracket, set of 2 for installation	5

### OPTION FOR DEMAND CONTROLLED VENTILATION

Product codes	Description	Quantity
IQAZ-35-01-1-1-1	Pi Function, Nozzle actuator, 1 piece per chilled beam	5

### CONTROLS

Product codes <sup>1)</sup>	Description	Quantity
STRA-24-00-0-00	Room Controller	1
STRZ-05-02	External temperature sensor	1
STRZ-16-1	Condensation sensor	1
STRZ-24-1	Transformer <sup>1)</sup>	1

### CONTROLS OPTIONS FOR DEMAND CONTROLLED VENTILATION

Product codes <sup>1)</sup>	Description	Quantity
STRZ-09-2	Occupancy detector (for single office application)	1
STRZ-18-1-2	CO <sub>2</sub> sensor (for meeting room)	1

### VALVES, ACTUATORS AND FLEXIBLE HOSES

Product codes <sup>1)</sup>	Description	Quantity
STRZ-70-11-01-0-1 <sup>1)</sup>	Valve + valve actuator	10
IQAZ-19-550-010010	Flexible hose push-on (5 chilled beams x 4 pipe connections)	20

### INTEGRATED CONTROLS

Product codes	Description	Quantity
IQII-240-11-07-2-2	WEGA II chilled beam, water cooling with FPC, for T24 ceiling with 300mm extended casing	1
STRZ-76-03-04-1-06	Integrated regulator in frontplate, incl valvekit (valve and actuator), condensate sensor and PIR.	1

<sup>1)</sup> For more information, please see the STRA-24 technical manual and STRA Accessories catalogue.

## DUCTED SPACE COOLING APPLIANCES

The FläktGroup's WEGA II chilled beam for integrated installation in suspended ceilings, has the following requirements/functions: (the size, variant etc., are indicated in the product code).

- Eurovent certified.
- Cooling, ventilation or Cooling, water heating, ventilation or Cooling, electric heating, ventilation.
- Pi motorised continuously variable VAV function, including an unoccupied flow mode or EC for the simple continuously variable adjustment of air flows, and the potential for installing a VAV (Pi) motor at a later stage.
- Heating function in which heating is delivered by the water coil, and circulation in the space is controlled by the VAV function (Pi).
- X-flow high flow variant designed for conference rooms, with a capacity of up to 100 l/s.
- FPC (flow pattern control).
- Hygienic execution, making it easier to clean due to its swing down coil, plenum box that allows access for vacuuming and hygiene-treated coil that stops dust sticking to it easily.
- Extended casing; see the order code, for easier access to the motor, actuator etc., (also recommended for installation in acoustic ceiling systems).
- "Click-in" mounting brackets for easier installation.
- RAL 9003 gloss value 30.
- Factory fitted controls. All electrical components are connected to terminal blocks for the straightforward connection of a 24 V power supply. Water actuator with valves with compression fittings.
- Controller integrated into the front panel.
  - or** Controller mounted on the side above the suspended ceiling (concealed from the room).
  - or** Supplied separately for fitting in an optional location.
- Variant according to the order code for Wega II (IQII).
- Accessories as specified.
- STRA-XX controls as specified.



## EXCELLENCE IN SOLUTIONS

FläktGroup is the European market leader for smart and energy efficient Indoor Air and Critical Air solutions to support every application area. We offer our customers innovative technologies, high quality and outstanding performance supported by more than a century of accumulated industry experience. The widest product range in the market, and strong market presence in 65 countries worldwide, guarantee that we are always by your side, ready to deliver Excellence in Solutions.

### PRODUCT FUNCTIONS BY FLÄKTGROUP

Air Treatment | Air Movement | Air Diffusion | Air Distribution | Air Filtration  
Air Management & ATD's | Air Conditioning & Heating | Controls | Service

» Learn more on [www.flaktgroup.com](http://www.flaktgroup.com)  
or contact one of our offices