

Supply air valve **NE**

TECHNICAL DATA



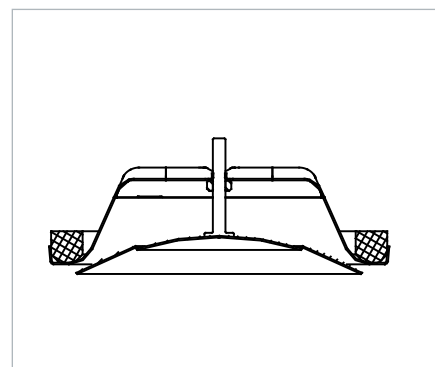


NE SUPPLY AIR VALVE

NE supply air valve is intended for installation in the ceiling. The valve is suitable for offices, houses, etc.

QUICK SELECTION

Valve NE-	Air flow range l/s at sound level		
	25 dB(A)	30 dB(A)	35 dB(A)
80	12	14	17
100	19	23	27
125	38	45	52
150	47	57	65
160	47	55	63
200	70	85	100



SPECIFICATIONS

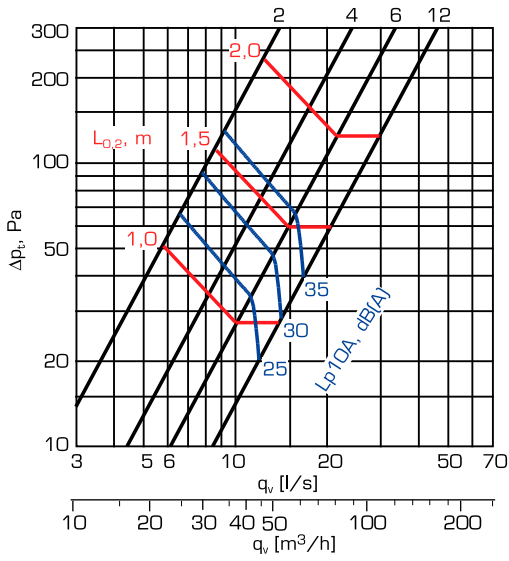
- Manufactured from steel sheet
- CleanVent coating on request
- Six sizes

PRODUCT CODE EXAMPLE

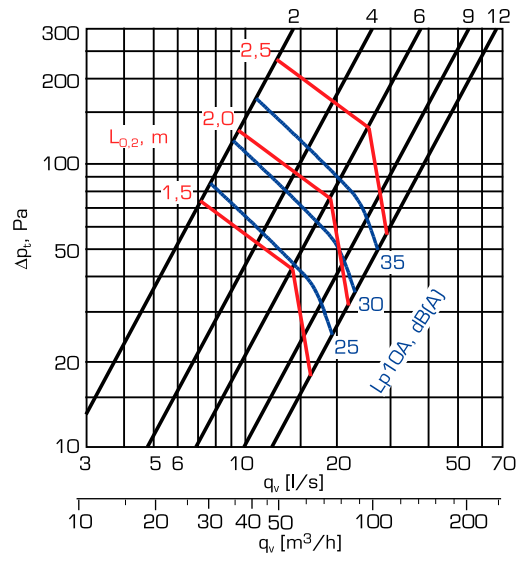
Supply air valve NE-100
Mounting ring KKT-100

AIR FLOW, PRESSURE DROP, SOUND LEVEL

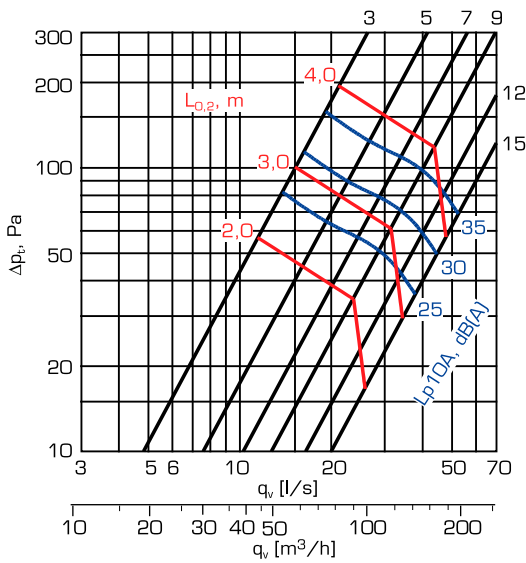
NE-80



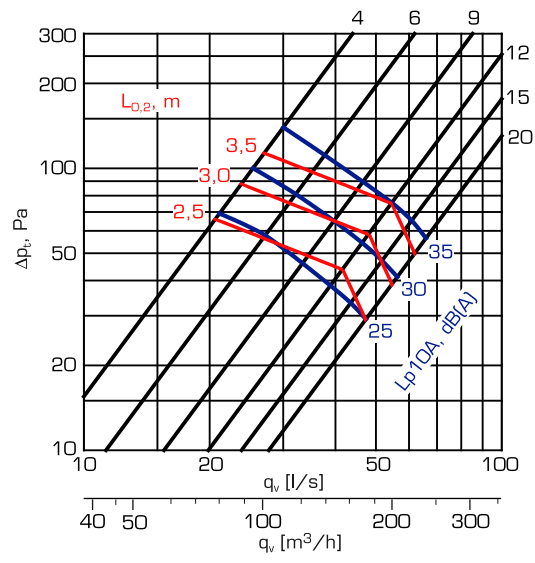
NE-100



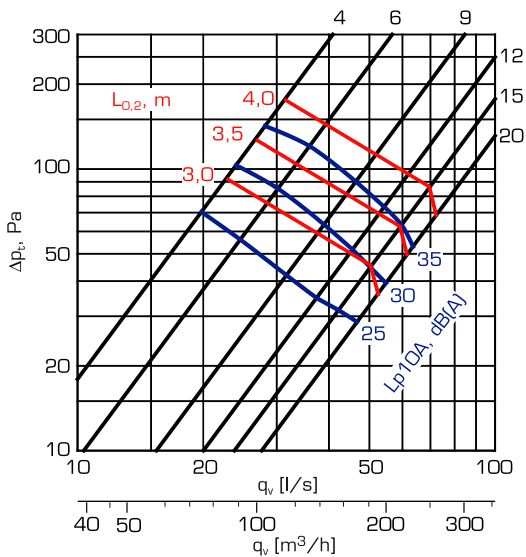
NE-125



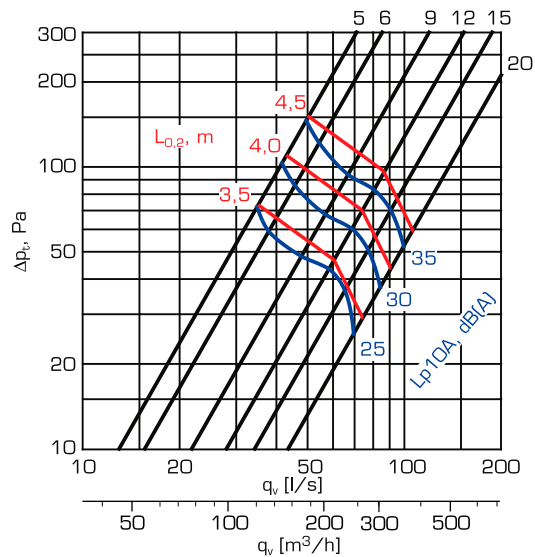
NE-150



NE-160



NE-200



SOUND DATA, DIMENSIONS AND WEIGHTS

SOUND POWER LEVEL L_w

NE	Correction of sound level K_{oct} (dB) at octave bands, middle frequency (Hz)						
	125	250	500	1000	2000	4000	8000
80	7	6	3	-2	-11	-23	-35
100	6	6	3	-2	-10	-21	-33
125	6	6	2	-3	-10	-21	-33
150	9	9	2	-5	-12	-22	-33
160	10	9	1	-5	-10	-22	-32
200	9	9	2	-4	-12	-20	-32
Tolerance \pm	3	2	2	2	2	2	3

Sound power levels by octave bands are obtained by adding to total sound pressure level L_{p10A} , dB(A) the corrections K_{oct} presented in the table according to the following formula:

$$L_{w_{oct}} = L_{p10A} + K_{oct}$$

Correction K_{oct} is an average value in the range of use of NE unit.

SOUND ATTENUATION ΔL

NE	Slot s (mm)	Sound attenuation ΔL (dB) at octave bands, middle frequency (Hz)							
		63	125	250	500	1000	2000	4000	8000
80	2	26	20	15	14	11	8	10	9
	6	24	19	13	11	8	5	8	6
	12	24	19	13	10	6	4	5	6
100	2	22	19	14	12	11	12	10	12
	6	22	17	11	9	8	9	6	9
	12	22	17	11	8	6	7	4	7
125	3	20	17	12	11	9	9	8	8
	7	19	15	10	8	7	7	5	5
	12	19	15	9	7	5	5	4	4
150	4	19	14	10	9	9	9	7	8
	12	18	13	8	7	6	5	5	5
	20	18	13	8	5	5	4	5	5
160	4	18	14	10	10	10	10	8	8
	9	18	13	9	8	7	7	6	6
	20	18	13	8	7	6	5	5	5
200	5	17	13	10	9	11	10	9	9
	9	16	12	8	8	9	9	8	7
	20	15	11	7	6	7	6	7	6
Tolerance \pm		6	3	2	2	2	2	2	3

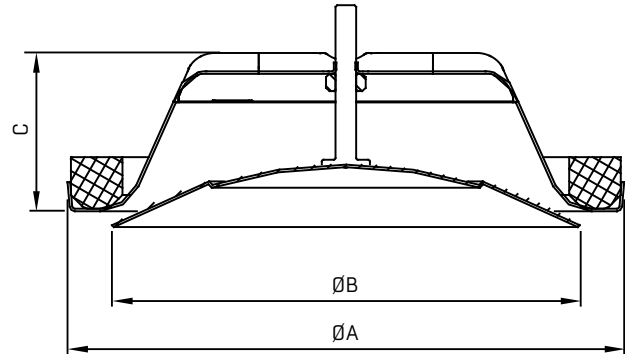
The average sound attenuation ΔL from duct to room including the end reflection of the connecting duct in ceiling installation, is obtained in the table above.

DEFINITIONS

q_v	Air volume	l/s, m ³ /h
Δp_t	Total pressure drop	Pa
L_{p10A}	Sound pressure level with 4 dB room attenuation (10 m ² sab)	dB(A)
$L_{w_{oct}}$	Sound power level by octave bands	dB
ΔL	Sound attenuation	dB
K_{oct}	Correction	dB

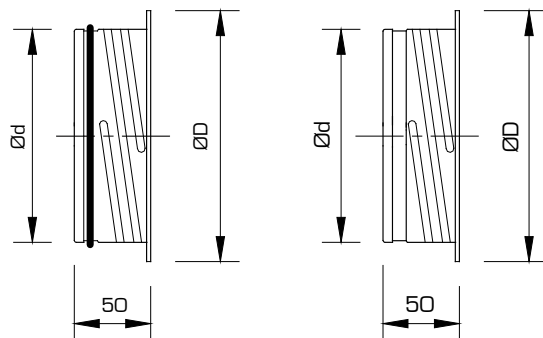
DIMENSIONS AND WEIGHTS

NE



Size	A (mm)	B (mm)	C (mm)	Weight (kg)
80	112	93	37	0.14
100	132	110	40	0.19
125	160	135	46	0.26
150	193	158	54	0.37
160	193	158	54	0.37
200	245	205	64	0.55

KKT, KKL



Size	Ød (mm)	ØD (mm)	Weight KKT (g)	Weight KKL (g)
80	79	101	66	63
100	99	122	75	71
125	124	148	102	97
150	149	175	123	116
160	159	184	131	125
200	199	225	165	156

GENERAL, PRODUCT CODE AND ACCESSORIES

MATERIAL AND SURFACE FINISH

The NE supply air valve is manufactured from steel sheet and painted in white (RAL 9003). Other colours and CleanVent coating on request.

Valve body has a gasket made of cellular plastic and the control disc with screw spindle enables easy regulation and positional locking.

Mounting rings KKT and KKL are manufactured from galvanized steel sheet. KKT is equipped with rubber sealing gasket.

INSTALLATION

Mounting ring is fitted into the duct with screws or rivets. The valve is fixed by "a screwing action" to locate the valve lugs into indents in the mounting ring.

MEASUREMENT AND ADJUSTMENT OF THE AIR FLOW

Regulation of air flow is achieved by turning the control disc to change adjustment dimension s (mm).

The measurement of air flow is made by a pressure difference measurement with a separate measuring tube.

Refer to air flow measurement diagrams found in the separate installation and measurement instructions for information.

INSTRUCTIONS

Instructions for installation, adjustment and maintenance are available at www.flaktgroup.com.

TECHNICAL DATA AND DESIGN

For complete design details, please see the FläktGroup product selection program. The program can be found online at www.flaktgroup.com.

DESCRIPTIVE TEXT

Supply air valve NE, e.g. NE-125 manufactured by FläktGroup.

PRODUCT CODE

Supply air valve	NE-aaa
Supply air valve, CleanVent	NE-aaa-C
Supply air valve, special colour	NE-aaa-E

Size (aaa)

080, 100, 125, 150, 160, 200

Supply air valve with springs

Supply air valve with springs, special colour	NEJ-aaa
	NEJ-aaa-E

Size (aaa)

080, 100, 125, 150, 160, 200

ACCESSORIES

Mounting ring with rubber gasket	KKT-aaa
Mounting ring without rubber gasket	KKL-aaa

Size (aaa)

080, 100, 125, 150, 160, 200

SPARE PARTS

Seal	COGZ-aaa-3
-------------	-------------------

Size (aaa)

080, 100, 125, 150, 160, 200

EXCELLENCE IN SOLUTIONS

FläktGroup is the European market leader for smart and energy efficient Indoor Air and Critical Air solutions to support every application area. We offer our customers innovative technologies, high quality and outstanding performance supported by more than a century of accumulated industry experience. The widest product range in the market, and strong market presence in 65 countries worldwide, guarantee that we are always by your side, ready to deliver Excellence in Solutions.

PRODUCT FUNCTIONS BY FLÄKTGROUP

Air Treatment | Air Movement | Air Diffusion | Air Distribution | Air Filtration
Air Management & ATD's | Air Conditioning & Heating | Controls | Service

» Learn more on www.flaktgroup.com
or contact one of our offices